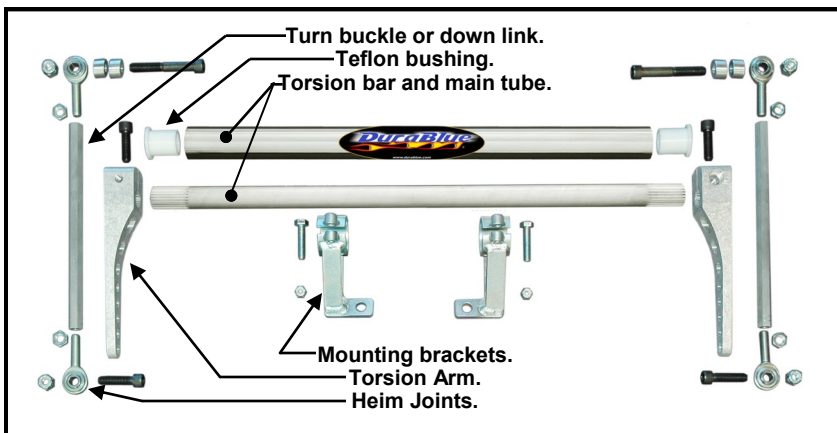


Honda 700XX Rear Anti-Sway Bar Kit

Part Number 20-1700hr



Note: Make sure you have a complete kit. The picture (left) is typical of most kits. Some small parts such as bolts and spacers vary from kit to kit. The main parts are all the same.

- 1) From the rear of the ATV, locate the "mounting bolt" shown in the photo below. This will be the mounting point for the brackets (see photo).
- 2) Remove the "mounting bolt" and install the bracket as shown. Keep the nut loose when you have the brackets in place. Install the bushings into the tube (if not already in place) slide the torsion bar through the tube. Use a little lube on the bushings. Slide the chrome tube through the brackets loosely mounted to the frame. Center the tube in the brackets, keeping the clamps loose.

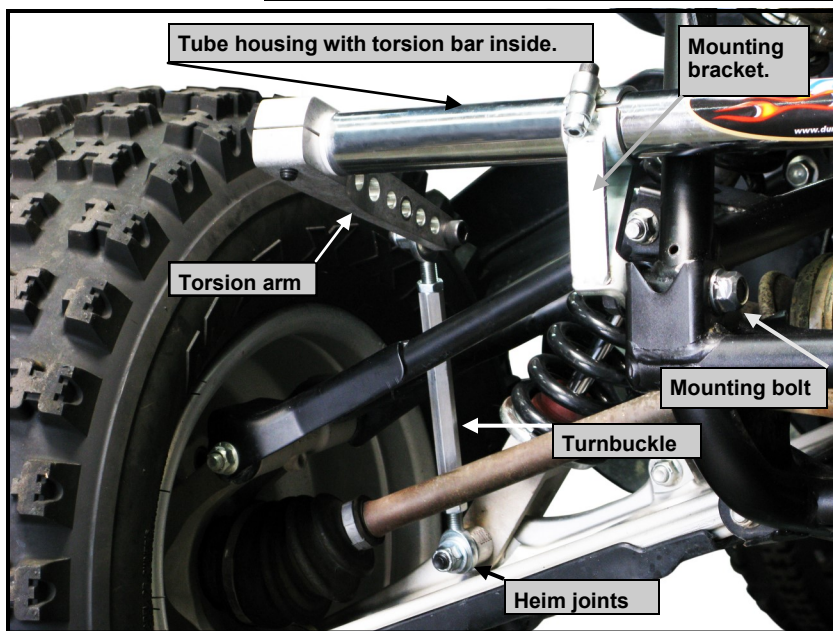
3) Install the arms onto the torsion bar. Look to see that they are even with each other. Assemble the Heim joints onto the hex rods. Replace the cross bolt at the bottom of the spring/shock using the long bolt in the kit. Install the spacer and lower Heim joint as you see in the photo. Attach the upper Heim joint to the end of the arm. The arms should be angled down about 25-30 degrees with no weight on the bike.

4) Install all bolts and nuts. Tighten but do not over tighten all hardware.

5) Bounce the quad up and down to check for binding or interference.

Some final Notes:

The anti-sway bar is designed to stabilize and flatten cornering forces. You can adjust the tension on your Durablue bar by changing the upper Heim joint location along the arm. The closer the Heim location is to the torsion bar, the stiffer the effect. At the very end of the arm, the effect is the softest. This bike has a sway bar from the factory and you can choose to keep it or remove it. There is no one setting so try all the adjustments until you find your perfect combination. You can purchase an additional sway bar for the front, 20-1700h.



This sway bar is rear mounted. Looking from the back this is the left side.

This is how your sway bar should look when you're done! →

Fitment may change slightly depending on the model.

Note: The anti-sway bar kit is designed for flat track or ice racing. For further inquiries call our tech support hotline. 949-770-5533 M-F 7-5 PST time. M-F, 8 to 5 PST. 949-770-5533

